



# TIMBERWOLF®

www.timberwolf-uk.com

# 13/75G WOODCHIPPER



## SAFETY INFORMATION AND BASIC OPERATING INSTRUCTIONS

### Safety instructions

1. Before using this chipper, take time to read this safety & users guide completely. **Misuse of this equipment can cause personal injury, equipment damage, damage to property or bodily injury.**
2. Familiarise yourself with the machine prior to use.
3. Do not attempt to start or use this machine if it is damaged. Contact the hire outlet before proceeding.
4. Do not allow minors, or anyone who is unwell or under the influence of drugs or alcohol to use this machine.
5. Petrol is highly flammable. Do not smoke when operating or refuelling.
6. This chipper is designed to chip solid wood material up to 75mm in diameter. Do not feed larger wood or other foreign material into the chipper.
7. Wear appropriate personal protective equipment (PPE). This includes face & eye protection and work gloves with snug cuffs. Noise levels above 85dB(A) will be experienced at the working position. Wear ear protection in compliance with EN352, with a SNR of 15dB or above. The use of a face mask is recommended if working conditions require. Do not wear loose clothing, jewellery or anything that could create a snag hazard.
8. Maintain a safety-exclusion zone around the chipper of at least 10 metres. Stop operations and turn off machine if unauthorised or unprotected individuals breach this zone.
9. Be aware that the chipper can eject chips out of the feed chute with considerable force. Always wear full head and face protection.
10. Only use this chipper in a well-ventilated area.

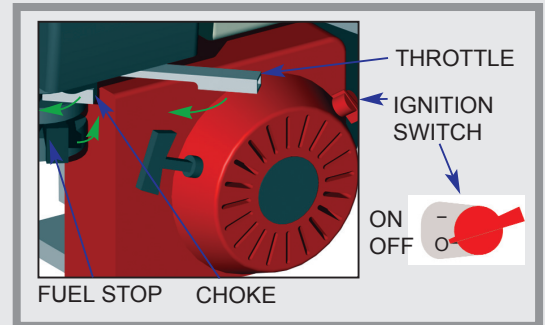
*(Guaranteed Sound Power 120dB (A)).*

### Before starting...

1. Ensure that the exclusion zone is well marked. The use of hazard tape is highly recommended.
2. Locate the machine on firm, level ground.
3. Make sure that all guards are in place.
4. Check the engine oil and top up if required (use grade 10W/30).
5. Check the fuel level. Only clean, uncontaminated, unleaded petrol must be used.
6. Check the infeed chute and clear it of any objects.
7. Adjust the discharge deflector to a safe direction.
8. Wear appropriate safety gear (PPE).
9. Clear the working area of unauthorised/unprotected personnel.

### Starting the engine...

1. Open the fuel shutoff.
2. Turn the ignition switch to "ON".
3. Move the throttle lever to 1/3rd of its full travel.
4. Set "CHOKE" to appropriate position (more in cold weather, less in warm weather).
5. Grasp the recoil "T" handle and gently pull until you feel resistance, then pull forcefully to start the engine.
6. When running, move the throttle lever to maximum. Only operate chipper with throttle lever in "full".
7. Turn "CHOKE" off when no longer required.

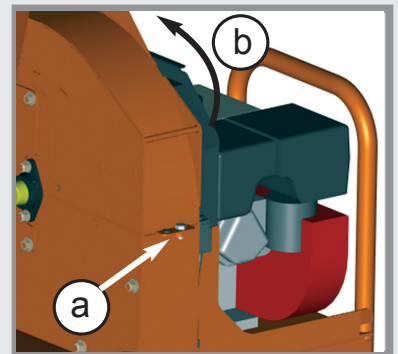


### Chipping wood...

1. **BE AWARE** that when the chipper is processing material that is an awkward shape, the material can move from side to side in the funnel with great force. If the material extends beyond the funnel, the brush may move towards you causing danger. Badly twisted brush should be trimmed before being chipped to avoid this.
2. Introduce wood gently, being prepared to release it when it engages the cutting blade. The cutting action will pull the wood in on its own.
3. Never reach into the funnel while the machine is running. If material needs to be moved down the funnel, use a push-stick appropriate for the job.
4. Always observe the discharge for exiting wood chippings. REMEMBER... what goes in must come out. If there are no chippings exiting the discharge while chipping wood, a blockage has occurred. You must stop the chipping operation, turn off the machine and clear the blockage. (See "Clearing blockage" section.)

### Clearing blockages...

1. Turn the engine off and wait until the rotor runs to a stop.
2. Open the rotor housing by removing the M12 bolt (a).
3. Lift the upper section (b) open, being careful of the sharp cutting blade inside.
4. Wearing gloves, scoop out the debris blocking the machine. Clear the discharge path as well.
5. Close the housing, re-install the M12 bolt, and restart the engine.
6. Continue chipping, observing the discharge for proper operation.



### Note:

- The machine must be returned in a clean condition. Cleaning is chargeable at the hire outlet.
- Any damage to the machine is chargeable.

Dealer Stamp